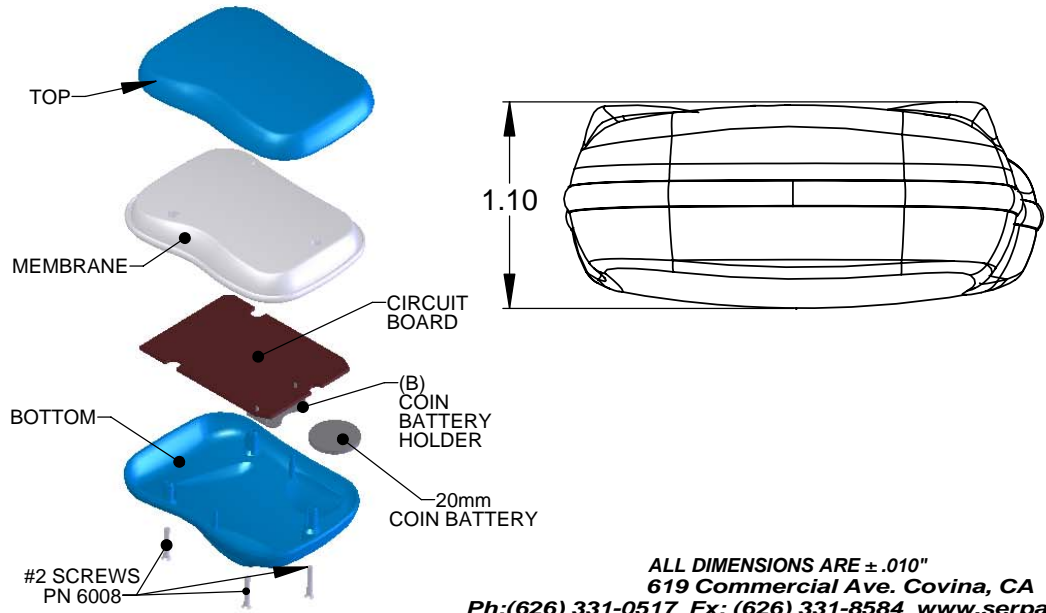


TOP VIEW SHOWING
CIRCUIT BOARD
DIMENSIONS FOR
20mm COIN BATTERY



- NOTES:**
1) Serpac Provides the following components:
 Top, Bottom, Membrane and (3) #2 Screws.
 All components are shipped unassembled.

2) The following components fit this enclosure.

	Manufacturer	PN option I	PN option II
	Other switches manufacturers and types will fit the unit.		
B	KEYSTONE	3003 positive	
B	KEYSTONE	2990 negative	